



MEMCO

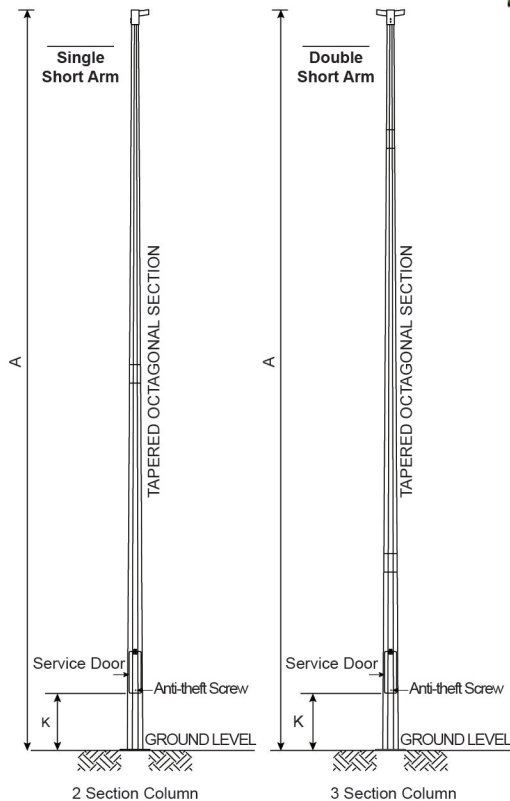
STEEL AND POLE MANUFACTURING LLC

**POLE
CATALOGUE**

2024

Application

Street lighting column with short spigot arm has a wide suitable applications ranging from main roads, residential subsidiary area, commercial developments, parking area, pathway and many others.

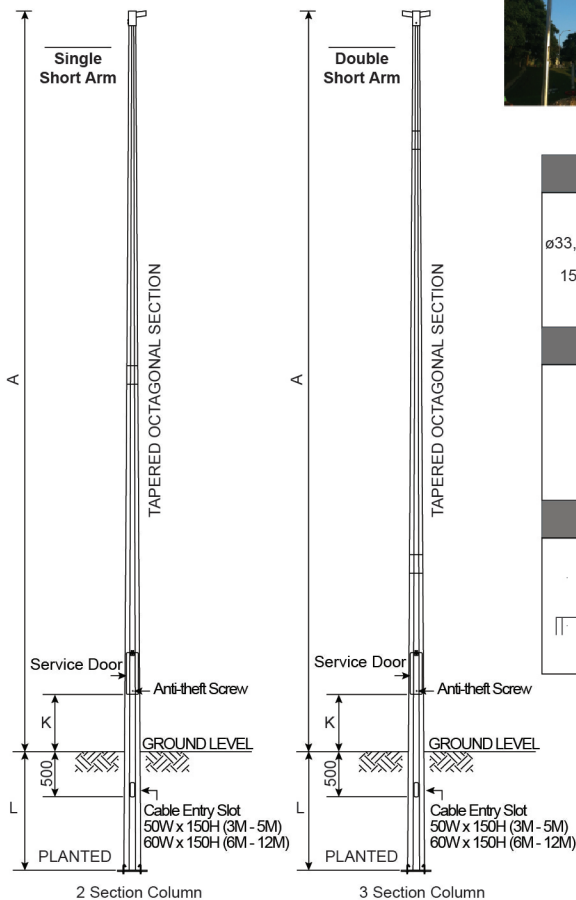


SINGLE SHORT ARM	DOUBLE SHORT ARM
Spigot Size Available $\phi 33, \phi 42, \phi 48, \phi 60$ 	Spigot Size Available $\phi 33, \phi 42, \phi 48, \phi 60$
J-BOLT (6M-12)	I-BOLT (3M-5M)
FLANGE PLATE (F) THK	EARTHING LUG
SERVICE DOOR SIDE VIEW	SERVICE DOOR DETAIL

HEIGHT	SERVICE DOOR			FLANGE PLATE		I/J-BOLT	GRD. LVL. to SRVC. DOOR
	B	C	D	E x (F) THK.	G x H x I	J	K
3M	350mm	90mm	150mm	250 x 9mm	195 x 20 x 44mm	$\phi 16 \times 280(L)$ mm	305mm
4M	350mm	90mm	150mm	250 x 9mm	195 x 20 x 44mm	$\phi 16 \times 280(L)$ mm	305mm
5M	350mm	90mm	150mm	250 x 9mm	195 x 20 x 44mm	$\phi 16 \times 280(L)$ mm	305mm
6M	450mm	100mm	300mm	300 x 12mm	220 x 26 x 53mm	$\phi 20 \times 450(L)$ mm	305mm
7M	450mm	100mm	300mm	300 x 12mm	220 x 26 x 53mm	$\phi 20 \times 450(L)$ mm	305mm
8M	450mm	120mm	300mm	300 x 12mm	220 x 26 x 53mm	$\phi 20 \times 450(L)$ mm	305mm
9M	450mm	120mm	300mm	300 x 15mm	220 x 26 x 53mm	$\phi 20 \times 450(L)$ mm	610/1800mm
10M	450mm	120mm	300mm	350 x 16mm	260 x 30 x 62mm	$\phi 24 \times 570(L)$ mm	610/1800/2000mm
12M	450mm	120mm	300mm	400 x 18mm	300 x 30 x 67mm	$\phi 24 \times 570(L)$ mm	610/1800/2000mm

Application

Street lighting column with short spigot arm has a wide suitable applications ranging from main roads, residential subsidiary area, commercial developments, parking area, pathway and many others.

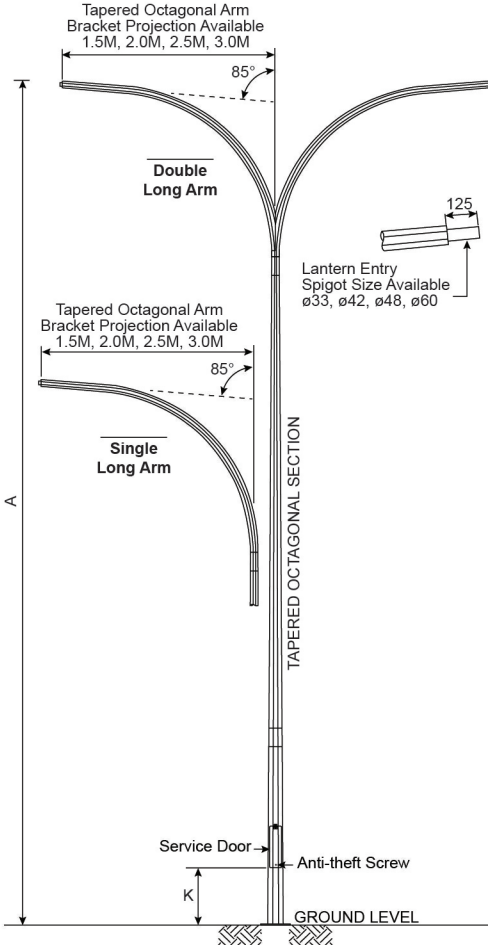


SINGLE SHORT ARM	DOUBLE SHORT ARM
Spigot Size Available $\phi 33, \phi 42, \phi 48, \phi 60$ 	Spigot Size Available $\phi 33, \phi 42, \phi 48, \phi 60$
HOOK BOLT	EARTHING LUG
SERVICE DOOR SIDE VIEW	SERVICE DOOR DETAIL
	ANTI-SINKING PLATE (F) THK

HEIGHT	SERVICE DOOR			ANTI-SINKING PLATE	GRD. LVL. to SRVC. DOOR	PLANTING DEPTH
	B	C	D	E x (F) THK.	K	L
3M	350mm	90mm	150mm	300 x 2.5mm	305mm	0.6M
4M	350mm	90mm	150mm	300 x 2.5mm	305mm	0.8M
5M	350mm	90mm	150mm	300 x 2.5mm	305mm	0.8M
6M	450mm	100mm	300mm	300 x 2.5mm	305mm	1.2M
7M	450mm	100mm	300mm	300 x 2.5mm	305mm	1.2M
8M	450mm	120mm	300mm	300 x 2.5mm	305mm	1.3M
9M	450mm	120mm	300mm	300 x 2.5mm	610/1800mm	1.4M
10M	450mm	120mm	300mm	300 x 2.5mm	610/1800/2000mm	1.5M
12M	450mm	120mm	300mm	300 x 2.5mm	610/1800/2000mm	1.7M

Application

Street lighting column with curve or radial arm has a wide suitable applications ranging from main roads, residential subsidiary area, commercial developments, parking area, pathway and many others.

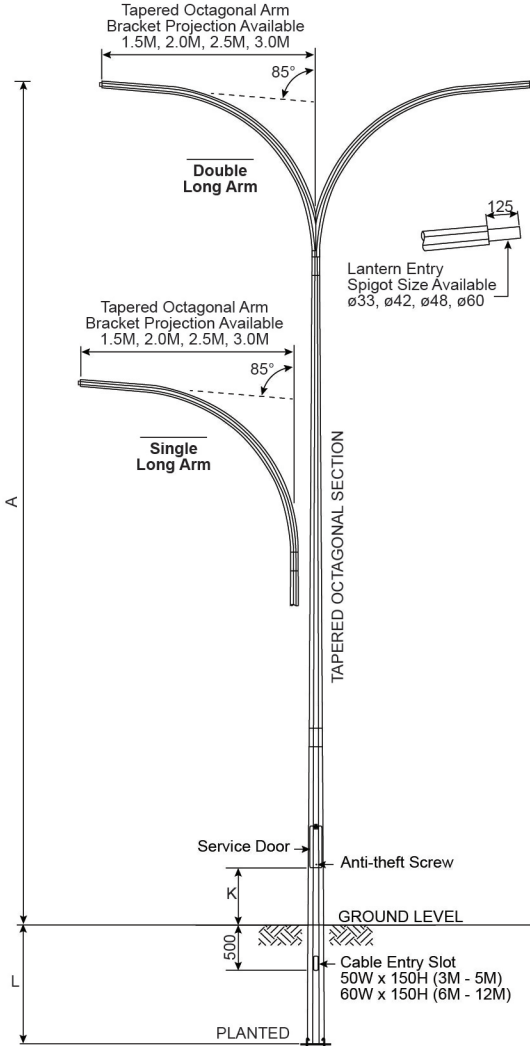


J-BOLT (6M-12)	I-BOLT (3M-5M)
FLANGE PLATE (F) THK	EARTHING LUG
SERVICE DOOR SIDE VIEW	SERVICE DOOR DETAIL

HEIGHT	SERVICE DOOR			FLANGE PLATE		I/J-BOLT	GRD. LVL. to SRVC. DOOR	
	A	B	C	D	E x (F) THK.	G x H x I	J	K
6M	450mm	100mm	300mm	300mm	300 x 12mm	220 x 26 x 53mm	ø20 x 450(L) mm	305mm
7M	450mm	100mm	300mm	300mm	300 x 12mm	220 x 26 x 53mm	ø20 x 450(L) mm	305mm
8M	450mm	120mm	300mm	300mm	300 x 12mm	220 x 26 x 53mm	ø20 x 450(L) mm	305mm
9M	450mm	120mm	300mm	300mm	300 x 15mm	220 x 26 x 53mm	ø20 x 450(L) mm	610/1800mm
10M	450mm	120mm	300mm	300mm	350 x 16mm	260 x 30 x 62mm	ø24 x 570(L) mm	610/1800/2000mm
12M	450mm	120mm	300mm	300mm	400 x 18mm	300 x 30 x 67mm	ø24 x 570(L) mm	610/1800/2000mm

Application

Street lighting column with curve or radial arm has a wide suitable applications ranging from main roads, residential subsidiary area, commercial developments, parking area, pathway and many others.

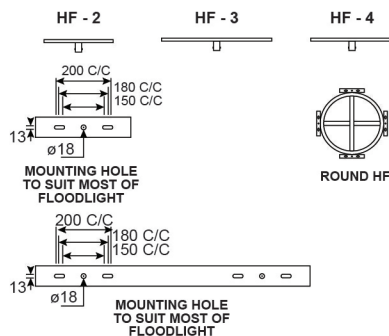
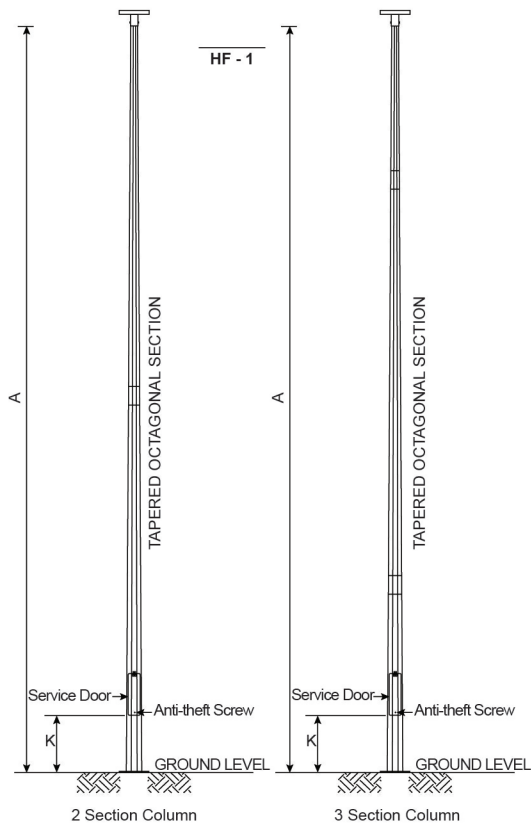


ANTI-SINKING PLATE (F) THK	HOOK BOLT
SERVICE DOOR SIDE VIEW	EARTHING LUG
	SERVICE DOOR DETAILS

HEIGHT	SERVICE DOOR			ANTI-SINKING PLATE	GRD. LVL. to SRVC. DOOR	PLANTING DEPTH
A	B	C	D	E x (F) THK.	K	L
6M	450mm	100mm	300mm	300 x 2.5mm	305mm	1.2M
7M	450mm	100mm	300mm	300 x 2.5mm	305mm	1.2M
8M	450mm	120mm	300mm	300 x 2.5mm	305mm	1.3M
9M	450mm	120mm	300mm	300 x 2.5mm	610/1800mm	1.4M
10M	450mm	120mm	300mm	300 x 2.5mm	610/1800/2000mm	1.5M
12M	450mm	120mm	300mm	300 x 2.5mm	610/1800/2000mm	1.7M

Application

Flood lighting column coupled with suitable Head-Frame bracket provide solution to area lighting. Application ranges from warehouse compound lighting to recreational sport lighting. Head-Frame brackets are customized to suit different purpose.

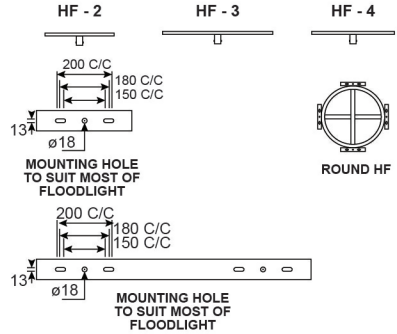
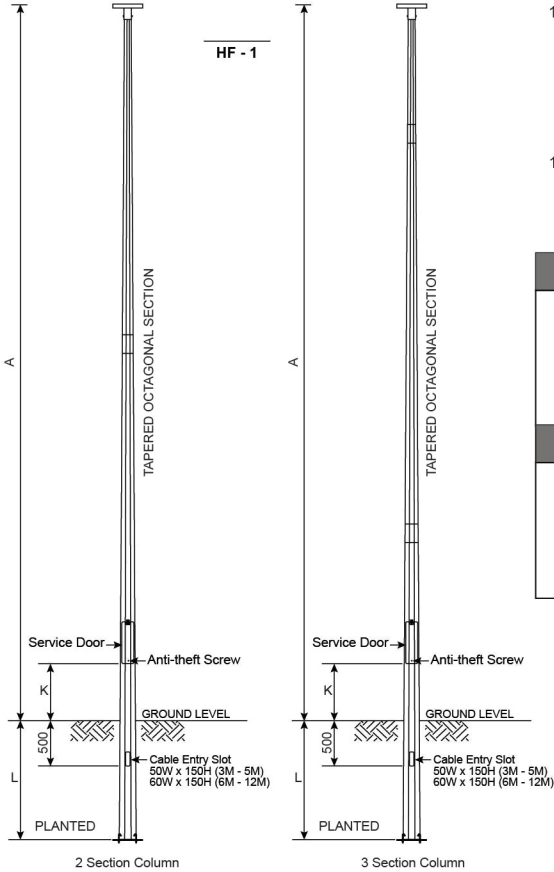


J-BOLT (6M-12)	I-BOLT (3M-5M)
FLANGE PLATE (F) THK	EARTHING LUG
SERVICE DOOR SIDE VIEW	SERVICE DOOR DETAIL

HEIGHT	SERVICE DOOR			FLANGE PLATE		I/J-BOLT	GRD. LVL. to SRVC. DOOR
	A	B	C	D	E x (F) THK.	G x H x I	J
3M	350mm	90mm	150mm	250 x 9mm	195 x 20 x 44mm	ø16 x 280(L) mm	305mm
4M	350mm	90mm	150mm	250 x 9mm	195 x 20 x 44mm	ø16 x 280(L) mm	305mm
5M	350mm	90mm	150mm	250 x 9mm	195 x 20 x 44mm	ø16 x 280(L) mm	305mm
6M	450mm	100mm	300mm	300 x 12mm	220 x 26 x 53mm	ø20 x 450(L) mm	305mm
7M	450mm	100mm	300mm	300 x 12mm	220 x 26 x 53mm	ø20 x 450(L) mm	305mm
8M	450mm	120mm	300mm	300 x 12mm	220 x 26 x 53mm	ø20 x 450(L) mm	305mm
9M	450mm	120mm	300mm	300 x 15mm	220 x 26 x 53mm	ø20 x 450(L) mm	610/1800mm
10M	450mm	120mm	300mm	350 x 16mm	260 x 30 x 62mm	ø24 x 570(L) mm	610/1800/2000mm
12M	450mm	120mm	300mm	400 x 18mm	300 x 30 x 67mm	ø24 x 570(L) mm	610/1800/2000mm

Application

Flood lighting column coupled with suitable Head-Frame bracket provide solution to area lighting. Application ranges from warehouse compound lighting to recreational sport lighting. Head-Frame brackets are customized to suit different purpose.

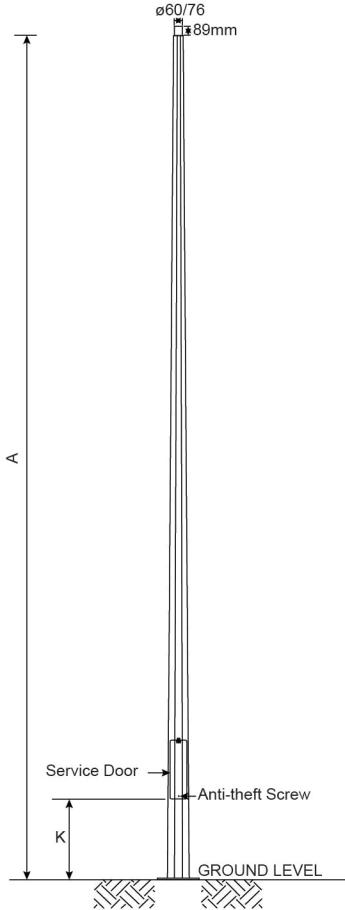


ANTI-SINKING PLATE (F) THK	HOOK BOLT
SERVICE DOOR SIDE VIEW	EARTHING LUG
SERVICE DOOR DETAILS	

HEIGHT	SERVICE DOOR			ANTI-SINKING PLATE	GRD. LVL. to SRVC. DOOR	PLANTING DEPTH
	A	B	C	D	E x (F) THK.	K
3M	350mm	90mm	150mm	300 x 2.5mm	305mm	0.6M
4M	350mm	90mm	150mm	300 x 2.5mm	305mm	0.8M
5M	350mm	90mm	150mm	300 x 2.5mm	305mm	0.8M
6M	450mm	100mm	300mm	300 x 2.5mm	305mm	1.2M
7M	450mm	100mm	300mm	300 x 2.5mm	305mm	1.2M
8M	450mm	120mm	300mm	300 x 2.5mm	305mm	1.3M
9M	450mm	120mm	300mm	300 x 2.5mm	610/1800mm	1.4M
10M	450mm	120mm	300mm	300 x 2.5mm	610/1800/2000mm	1.5M
12M	450mm	120mm	300mm	300 x 2.5mm	610/1800/2000mm	1.7M

Application

Compound lighting pole or post-top column is suitable for varieties of secondary lighting like pedestrian walkway, car park, recreational compound and many others. The pole suits all types of post-top mounted fitting including customized decorative lantern. Options for polyester coating for improved aesthetic appearance.

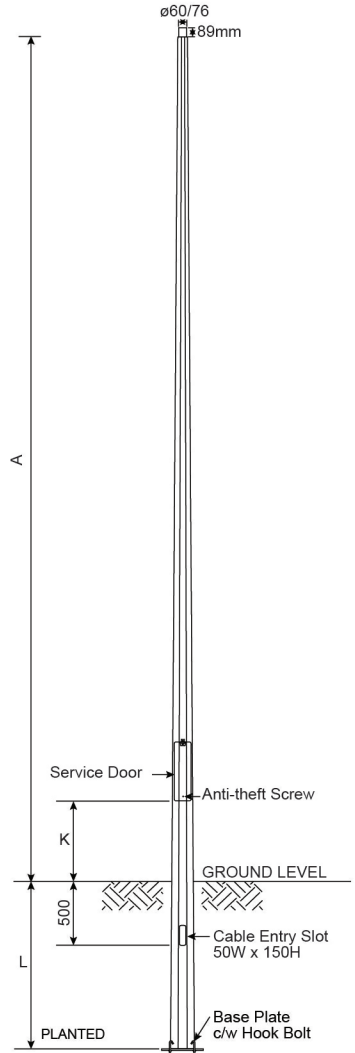
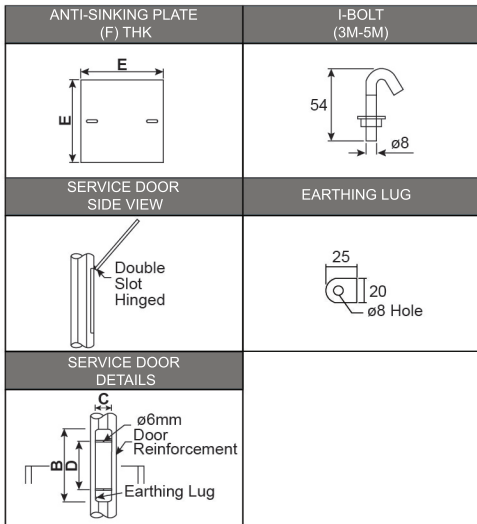


J-BOLT (6M-12)	I-BOLT (3M-5M)
FLANGE PLATE (F) THK	EARTHING LUG
SERVICE DOOR SIDE VIEW	SERVICE DOOR DETAIL

HEIGHT	SERVICE DOOR			FLANGE PLATE		I/J-BOLT	GRD. LVL. to SRVC. DOOR
	A	B	C	D	E x (F) THK.	G x H x I	J
3M	350mm	90mm	150mm	250 x 9mm	195 x 20 x 44mm	$\phi 16$ x 280(L) mm	305mm
3.5M	350mm	90mm	150mm	250 x 9mm	195 x 20 x 44mm	$\phi 16$ x 280(L) mm	305mm
4M	350mm	90mm	150mm	250 x 9mm	195 x 20 x 44mm	$\phi 16$ x 280(L) mm	305mm
4.5M	350mm	90mm	150mm	250 x 9mm	195 x 20 x 44mm	$\phi 16$ x 280(L) mm	305mm
5M	350mm	90mm	150mm	250 x 9mm	195 x 20 x 44mm	$\phi 16$ x 280(L) mm	305mm

Application

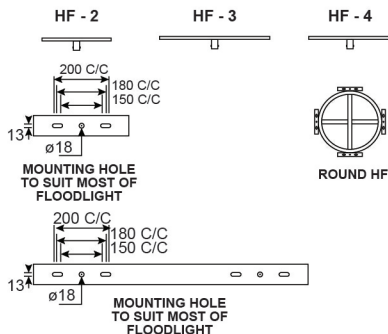
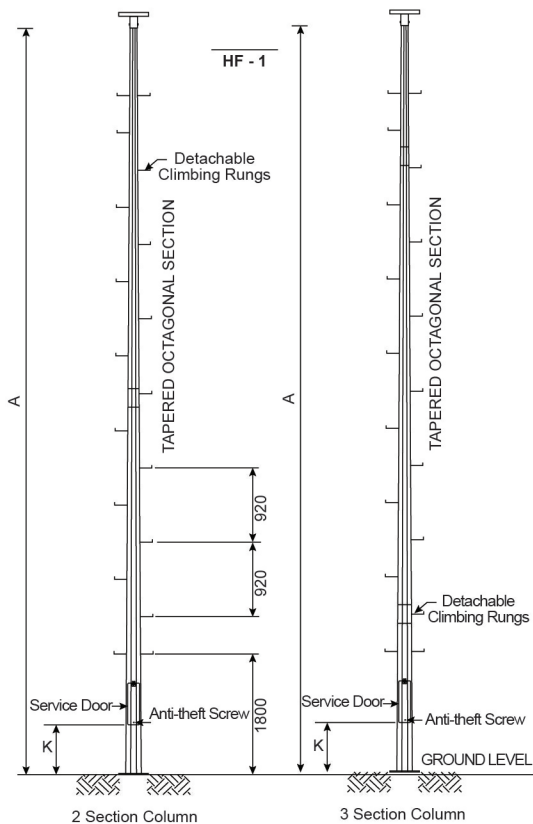
Compound lighting pole or post-top column is suitable for varieties of secondary lighting like pedestrian walkway, car park, recreational compound and many others. The pole suits all types of post-top mounted fitting including customized decorative lantern. Options for polyester coating for improved aesthetic appearance.



HEIGHT	SERVICE DOOR			ANTI-SINKING PLATE	GRD. LVL. to SRVC. DOOR	PLANTING DEPTH
A	B	C	D	E x (F) THK.	K	L
3M	350mm	90mm	150mm	300 x 2.5mm	305mm	0.6M
3.5M	350mm	90mm	150mm	300 x 2.5mm	305mm	0.8M
4M	350mm	90mm	150mm	300 x 2.5mm	305mm	0.8M
4.5M	350mm	90mm	150mm	300 x 2.5mm	305mm	0.8M
5M	350mm	90mm	150mm	300 x 2.5mm	305mm	0.8M

Application

This design is perfect for restricted and remote areas not accessible by fitting equipment. Examples are military camp, golfing area, tennis court, jungle track and other. It is also economically viable in keeping maintenance cost low.

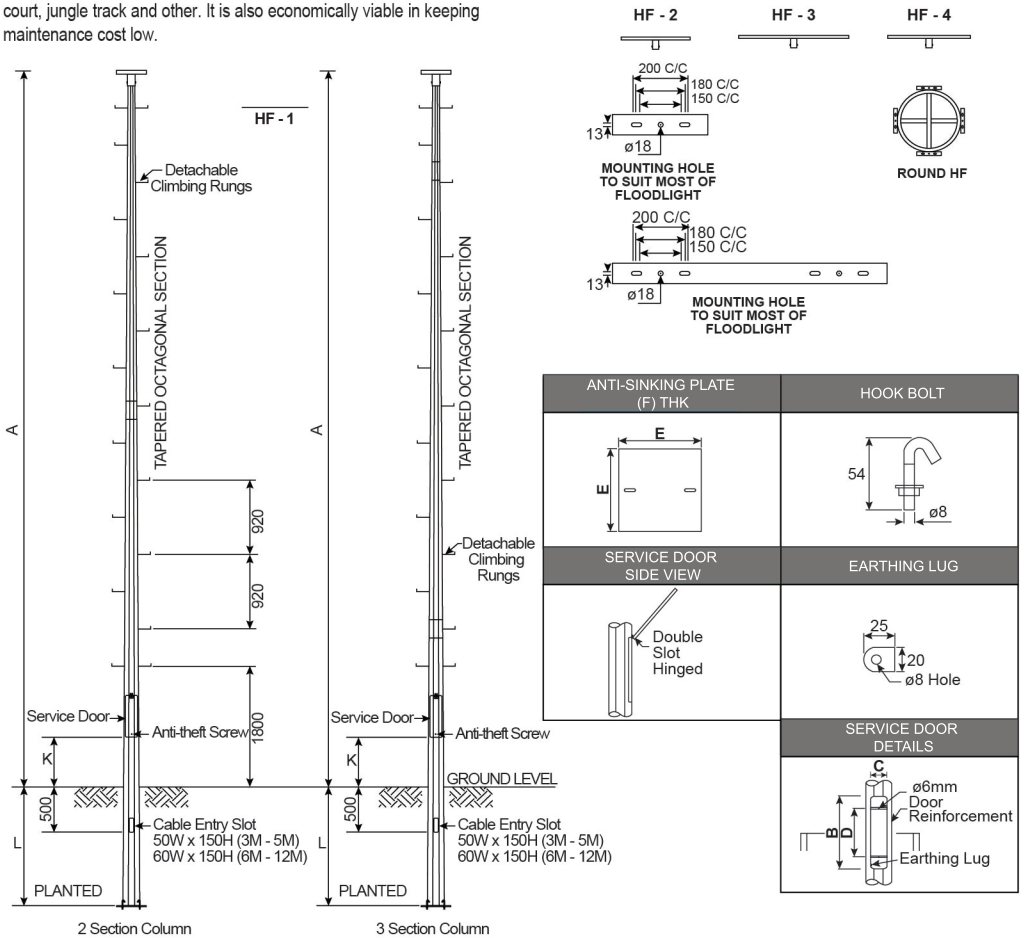


J-BOLT (6M-12)	I-BOLT (3M-5M)
FLANGE PLATE (F) THK	EARTHING LUG
SERVICE DOOR SIDE VIEW	SERVICE DOOR DETAIL

HEIGHT	SERVICE DOOR			FLANGE PLATE		I/J-BOLT	GRD. LVL. to SRVC. DOOR
	B	C	D	E x (F) THK.	G x H x I	J	K
3M	350mm	90mm	150mm	250 x 9mm	195 x 20 x 44mm	ø16 x 280(L) mm	305mm
4M	350mm	90mm	150mm	250 x 9mm	195 x 20 x 44mm	ø16 x 280(L) mm	305mm
5M	350mm	90mm	150mm	250 x 9mm	195 x 20 x 44mm	ø16 x 280(L) mm	305mm
6M	450mm	100mm	300mm	300 x 12mm	220 x 26 x 53mm	ø20 x 450(L) mm	305mm
7M	450mm	100mm	300mm	300 x 12mm	220 x 26 x 53mm	ø20 x 450(L) mm	305mm
8M	450mm	120mm	300mm	300 x 12mm	220 x 26 x 53mm	ø20 x 450(L) mm	305mm
9M	450mm	120mm	300mm	300 x 15mm	220 x 26 x 53mm	ø20 x 450(L) mm	610/1800mm
10M	450mm	120mm	300mm	350 x 16mm	260 x 30 x 62mm	ø24 x 570(L) mm	610/1800/2000mm
12M	450mm	120mm	300mm	400 x 18mm	300 x 30 x 67mm	ø24 x 570(L) mm	610/1800/2000mm

Application

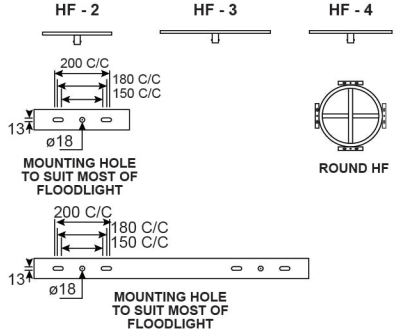
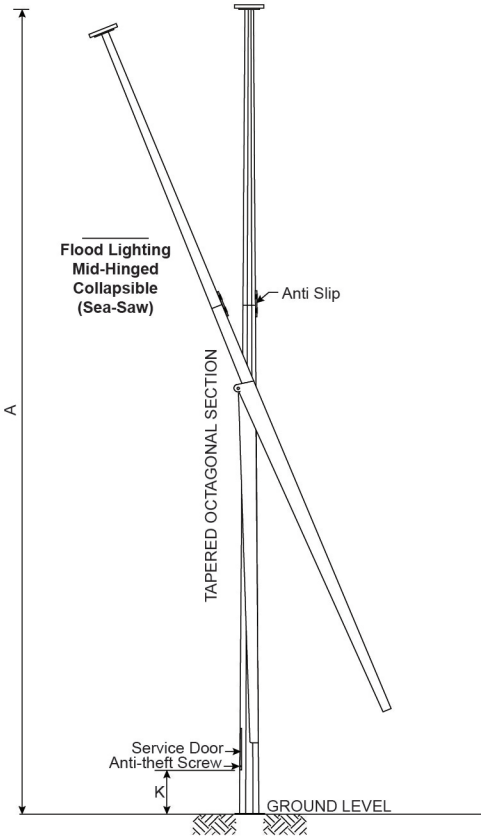
This design is perfect for restricted and remote areas not accessible by fitting equipment. Examples are military camp, golfing area, tennis court, jungle track and other. It is also economically viable in keeping maintenance cost low.



HEIGHT	SERVICE DOOR			ANTI-SINKING PLATE	GRD. LVL. to SRVC. DOOR	PLANTING DEPTH
	B	C	D	E x (F) THK.	K	
A						L
3M	350mm	90mm	150mm	300 x 2.5mm	305mm	0.8M
4M	350mm	90mm	150mm	300 x 2.5mm	305mm	1.0M
5M	350mm	90mm	150mm	300 x 2.5mm	305mm	1.0M
6M	450mm	100mm	300mm	300 x 2.5mm	305mm	1.3M
7M	450mm	100mm	300mm	300 x 2.5mm	305mm	1.4M
8M	450mm	120mm	300mm	300 x 2.5mm	305mm	1.5M
9M	450mm	120mm	300mm	300 x 2.5mm	610/1800mm	1.5M
10M	450mm	120mm	300mm	300 x 2.5mm	610/1800/2000mm	1.6M
12M	450mm	120mm	300mm	300 x 2.5mm	610/1800/2000mm	1.7M

Application

This type of pole is perfect for restricted areas like army camp, prison, off-shore wharf, port and others. The applications also extended to recreational sport activity court like tennis and basketball. It has made possible maintenance without lifting machineries.



<p>J-BOLT (6M-12)</p>	<p>I-BOLT (3M-5M)</p>
<p>FLANGE PLATE (F) THK</p>	<p>EARTHING LUG</p>
<p>SERVICE DOOR SIDE VIEW</p>	<p>SERVICE DOOR DETAIL</p>

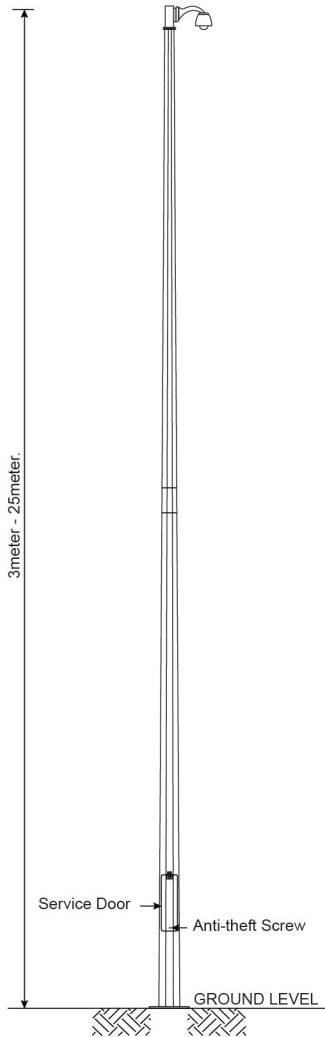
HEIGHT	SERVICE DOOR			FLANGE PLATE		I/J-BOLT	GRD. LVL. to SRVC. DOOR
	A	B	C	D	E x (F) THK.	G x H x I	J
3M	350mm	90mm	150mm	250 x 9mm	195 x 20 x 44mm	ø16 x 280(L) mm	305mm
4M	350mm	90mm	150mm	250 x 9mm	195 x 20 x 44mm	ø16 x 280(L) mm	305mm
5M	350mm	90mm	150mm	250 x 9mm	195 x 20 x 44mm	ø16 x 280(L) mm	305mm
6M	450mm	100mm	300mm	300 x 12mm	220 x 26 x 53mm	ø20 x 450(L) mm	305mm
7M	450mm	100mm	300mm	300 x 12mm	220 x 26 x 53mm	ø20 x 450(L) mm	305mm
8M	450mm	120mm	300mm	300 x 15mm	220 x 26 x 53mm	ø20 x 450(L) mm	305mm
9M	450mm	120mm	300mm	300 x 15mm	220 x 26 x 53mm	ø20 x 450(L) mm	610/1800mm
10M	450mm	140mm	300mm	350 x 16mm	260 x 30 x 62mm	ø24 x 570(L) mm	610/1800/2000mm
12M	450mm	140mm	300mm	400 x 18mm	300 x 30 x 67mm	ø24 x 570(L) mm	610/1800/2000mm

Specification

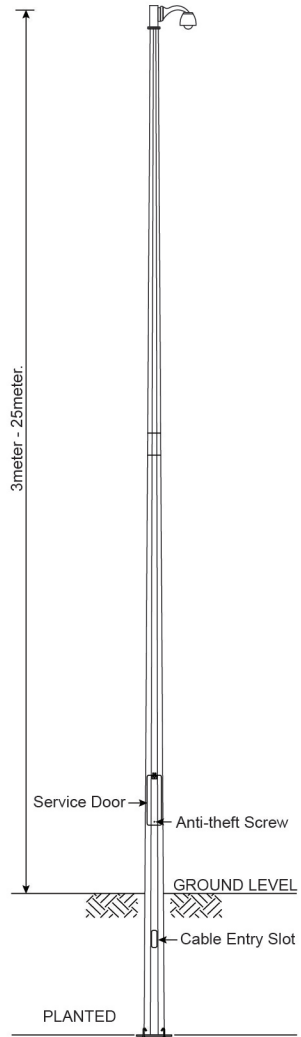
Octagonal continuously tapered pole for height below 15 meter.
Polygonal continuously tapered pole for height above 15 meter.
Flexible mounting bracket to suit the camera positions. Height from 3 meter to 25 meter.

Application:

Speed dome, fixed camera and zoom camera.



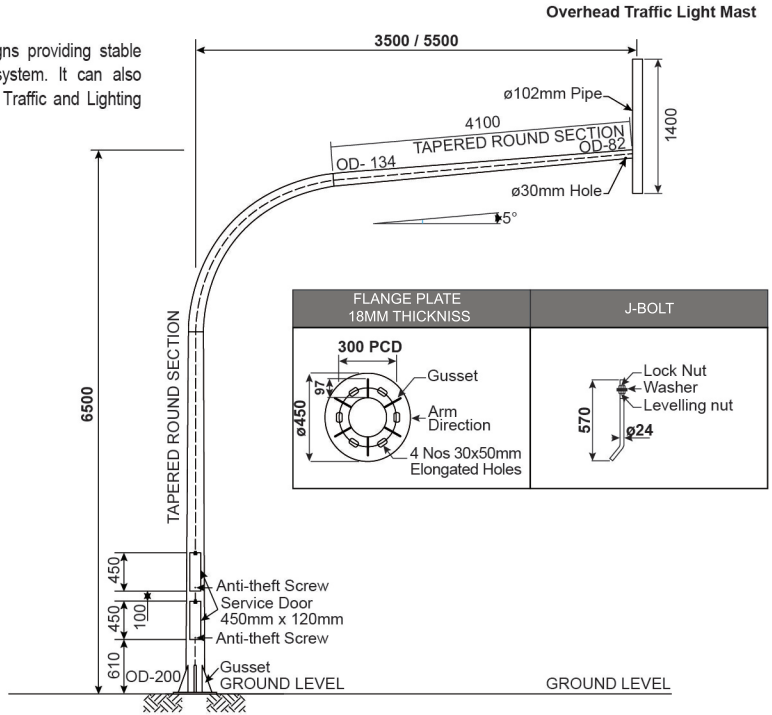
Flange Mounted Type



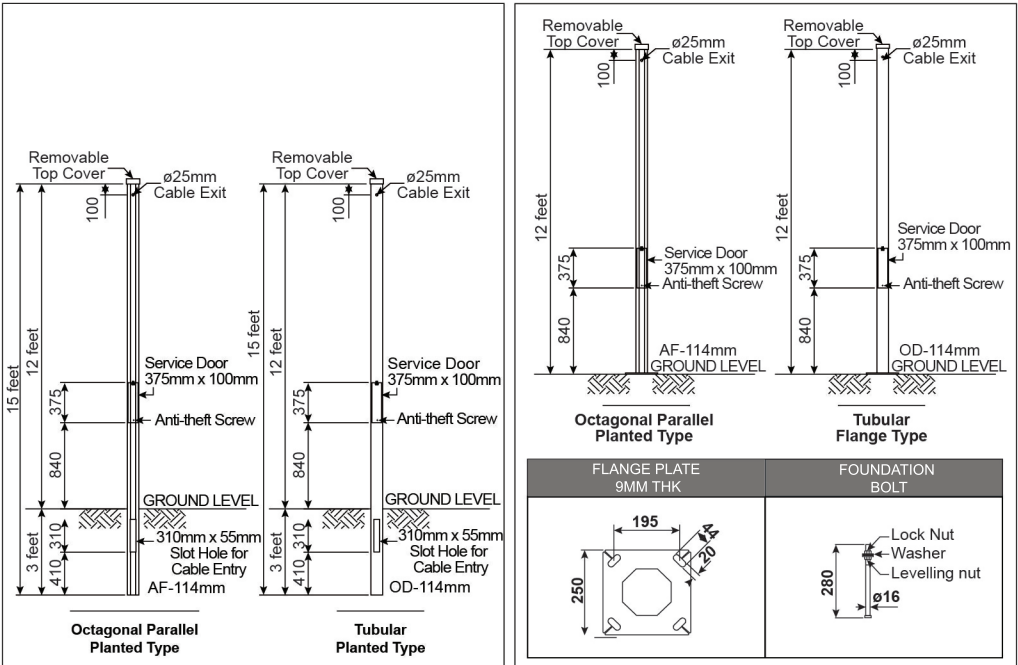
Planted Type

Application

Traffic light pole in various designs providing stable support to traffic management system. It can also incorporate double application as Traffic and Lighting Pole.

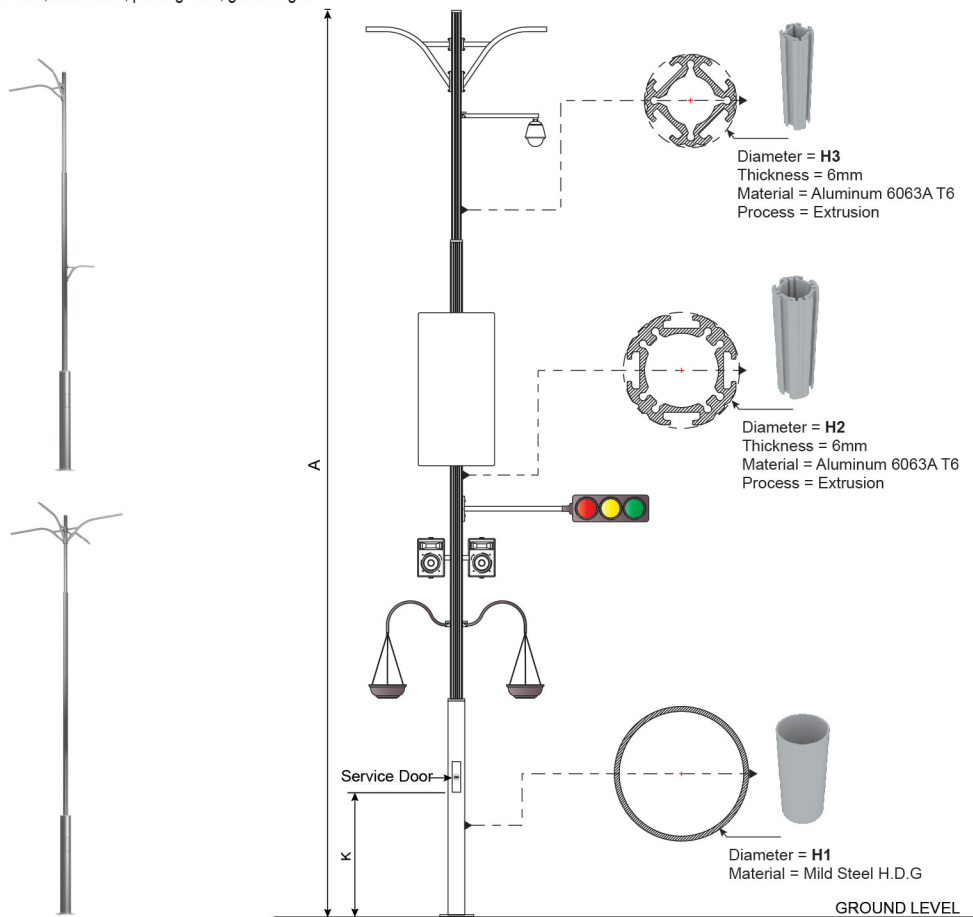


Traffic Light Mast



Application

Main road, small road, parking area, garden light.



J-BOLT (6M-12M)	I-BOLT (3M-5M)	FLANGE PLATE (F) THK	SERVICE DOOR DETAIL

HEIGHT	SERVICE DOOR		FLANGE PLATE		I/J-BOLT	DIAMETER			GRD. LVL. to SRVC. DOOR
	B	C	E x (F) THK.	G	J	H1	H2	H3	K
4M	350mm	100mm	250 x 8mm	195mm	ø16 x 280(L) mm	ø165mm	ø140mm	ø114mm	305mm
5M	350mm	100mm	250 x 10mm	195mm	ø16 x 280(L) mm	ø165mm	ø140mm	ø114mm	305mm
6M-8M	450mm	120mm	300 x 15mm	220mm	ø20 x 450(L) mm	ø165mm	ø140mm	ø114mm	610/1780mm
9M	450mm	120mm	300 x 20mm	220mm	ø20 x 450(L) mm	ø220mm	ø156mm	ø124mm	610/1780mm
10M	450mm	120mm	350 x 20mm	260mm	ø24 x 570(L) mm	ø220mm	ø156mm	ø124mm	610/1780mm
12M	450mm	120mm	445 x 25mm	300mm	ø24 x 570(L) mm	ø220mm	ø156mm	ø124mm	610/1780mm

Application

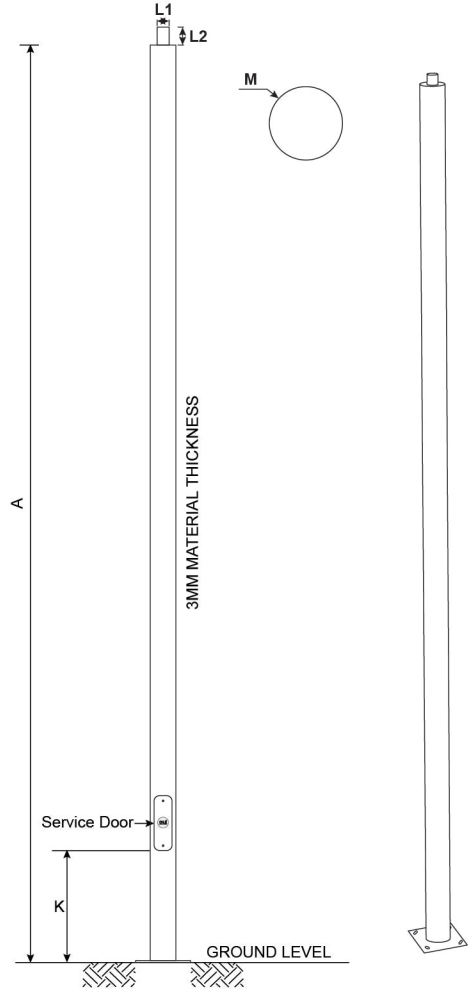
Pedestrian walkway, car park, garden light, area light and others.

Housing Material

Extrusion aluminum AA 6063-T5.

Finishing

Durable outdoor powder coated.



J-BOLT (6M)	I-BOLT (3M-5M)
FLANGE PLATE (F) THK	SERVICE DOOR DETAIL

HEIGHT	SERVICE DOOR			FLANGE PLATE		I/J-BOLT	GRD. LVL. to SRVC. DOOR	DIAMENSION	
	A	B	C	D	E x (F) THK.	G	J	K	L1 x L2
3M	300mm	100mm	150mm	275 x 8mm	195mm	ø16 x 280(L) mm	600mm	ø60/76 x 89mm	ø127mm
4M	300mm	100mm	150mm	275 x 8mm	195mm	ø16 x 280(L) mm	600mm	ø60/76 x 89mm	ø127mm
5M	300mm	100mm	150mm	275 x 10mm	195mm	ø16 x 280(L) mm	600mm	ø60/76 x 89mm	ø127mm
6M	300mm	100mm	150mm	300 x 10mm	220mm	ø20 x 280(L) mm	600mm	ø60/76 x 89mm	ø127mm

Application

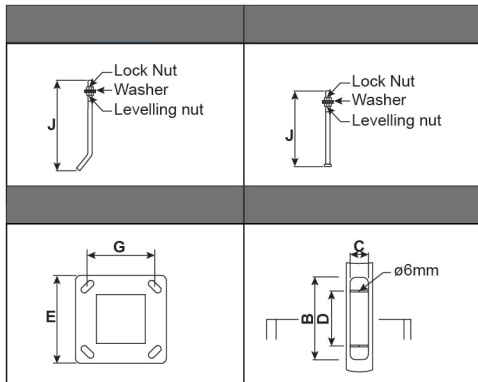
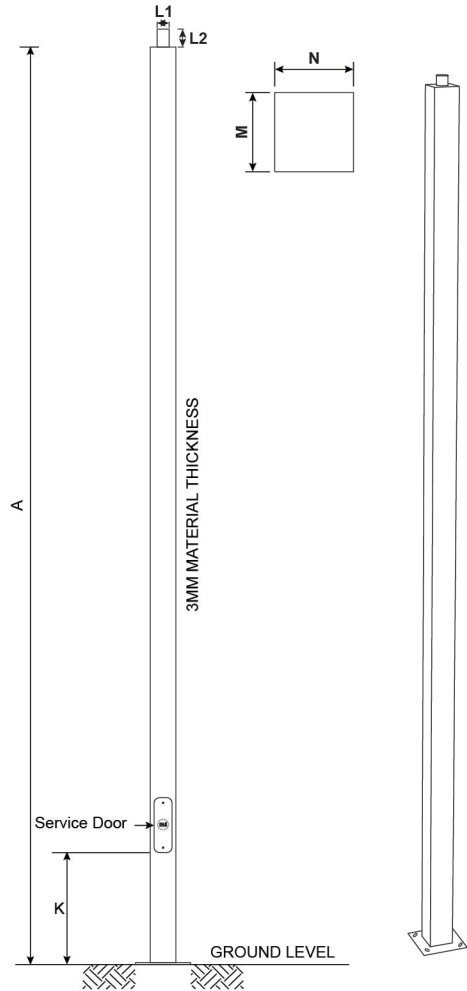
Pedestrian walkway, car park, garden light, area light and others.

Housing Material

Extrusion aluminum AA 6063-T5.

Finishing

Durable outdoor powder coated.



HEIGHT	SERVICE DOOR			FLANGE PLATE		I/J-BOLT	GRD. LVL. to SRVC. DOOR	DIAMENSION	
	A	B	C	D	E x (F) THK.	G		J	K
3M	300mm	100mm	150mm	275 x 8mm	195mm	ø16 x 280(L) mm	600mm	ø60/76 x 89mm	127 x 127mm
4M	300mm	100mm	150mm	275 x 8mm	195mm	ø16 x 280(L) mm	600mm	ø60/76 x 89mm	127 x 127mm
5M	300mm	100mm	150mm	275 x 10mm	195mm	ø16 x 280(L) mm	600mm	ø60/76 x 89mm	127 x 127mm
6M	300mm	100mm	150mm	300 x 10mm	220mm	ø20 x 280(L) mm	600mm	ø60/76 x 89mm	127 x 127mm

Application

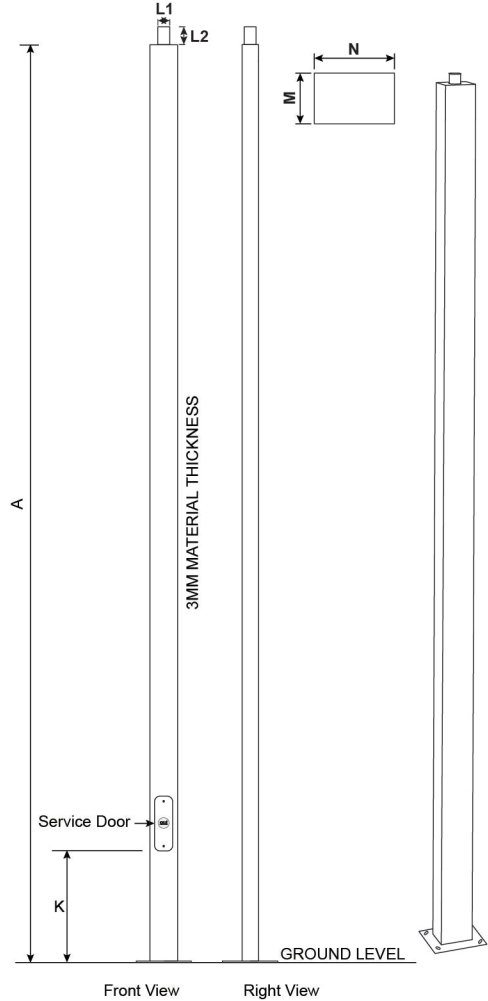
Pedestrian walkway, car park, garden light, area light and others.

Housing Material

Extrusion aluminum AA 6063-T5.

Finishing

Durable outdoor powder coated.



J-BOLT (6M)	I-BOLT (3M-5M)
FLANGE PLATE (F) THK	SERVICE DOOR DETAIL

HEIGHT	SERVICE DOOR		FLANGE PLATE		I/J-BOLT	GRD. LVL. to SRVC. DOOR	DIAMENSION	
A	B	C	E x (F) THK.	G	J	K	L1 x L2	M x N
3M	250mm	104mm	300 x 8mm	220mm	ø16 x 280(L) mm	600mm	ø60/76 x 89mm	90 x 150mm
4M	250mm	104mm	300 x 8mm	220mm	ø16 x 280(L) mm	600mm	ø60/76 x 89mm	90 x 150mm
5M	250mm	104mm	300 x 10mm	220mm	ø16 x 280(L) mm	600mm	ø60/76 x 89mm	90 x 150mm
6M	250mm	104mm	300 x 10mm	220mm	ø20 x 280(L) mm	600mm	ø60/76 x 89mm	90 x 150mm



MEMCO
STEEL AND POLE MANUFACTURING LLC

MEMCO STEEL AND POLE MANUFACTURING LLC

Plot No. TP070802

National Industries Park Dubai United Arab Emirates

MAIL & PHONE

Info@memcodxb.ae

+97142211333

WORKING TIME

Sun - Fri 8 am. - 6 pm. (Saturday we closed)